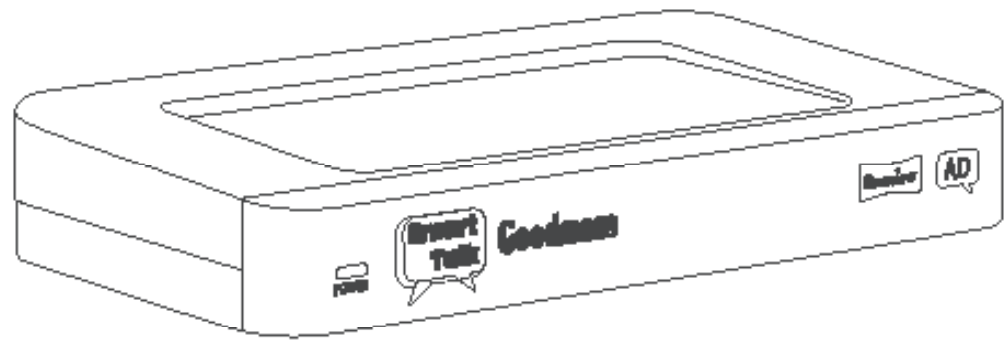


# Goodmans



## Talking set-top box quick-start guide

Model. GDB20TTS



digital

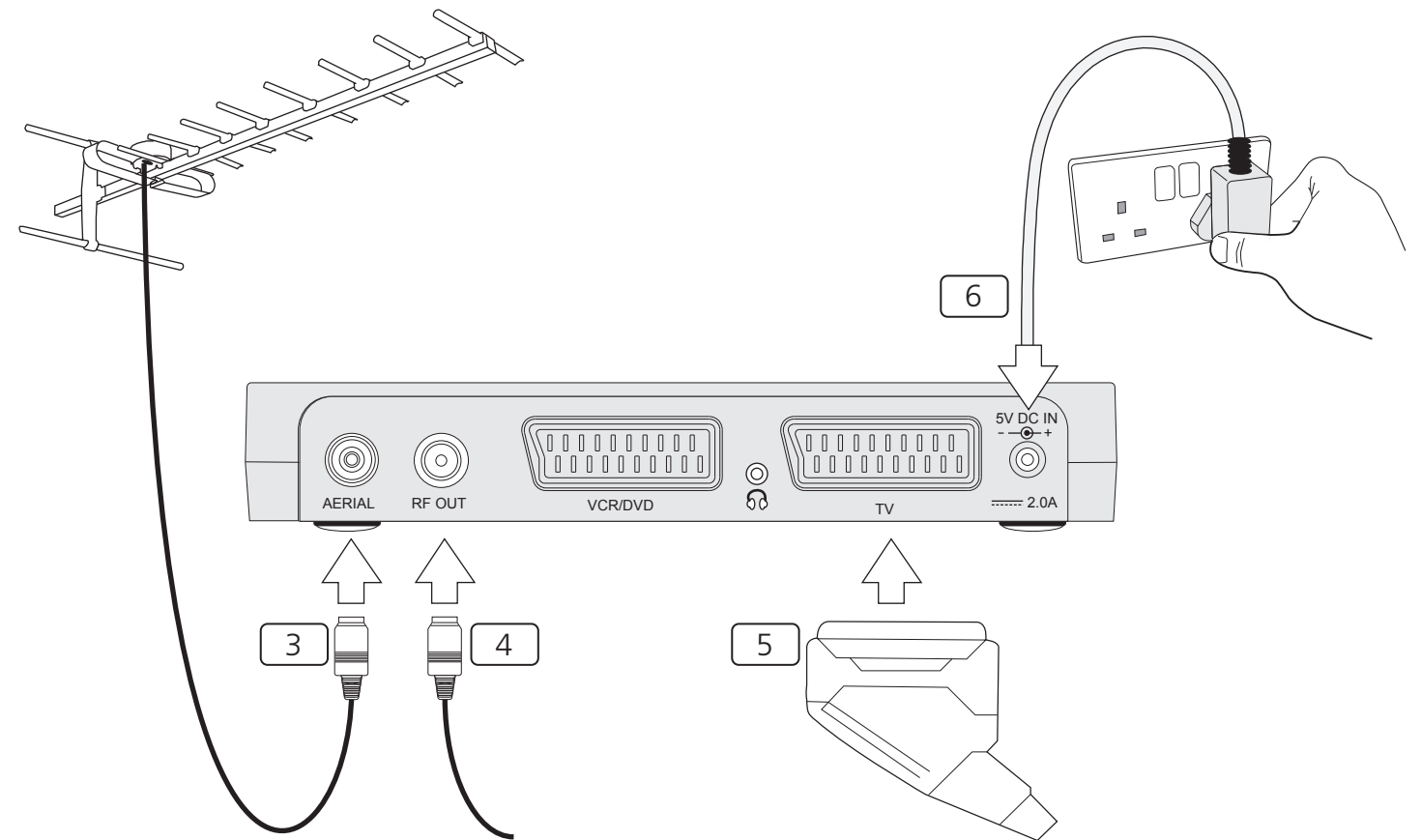
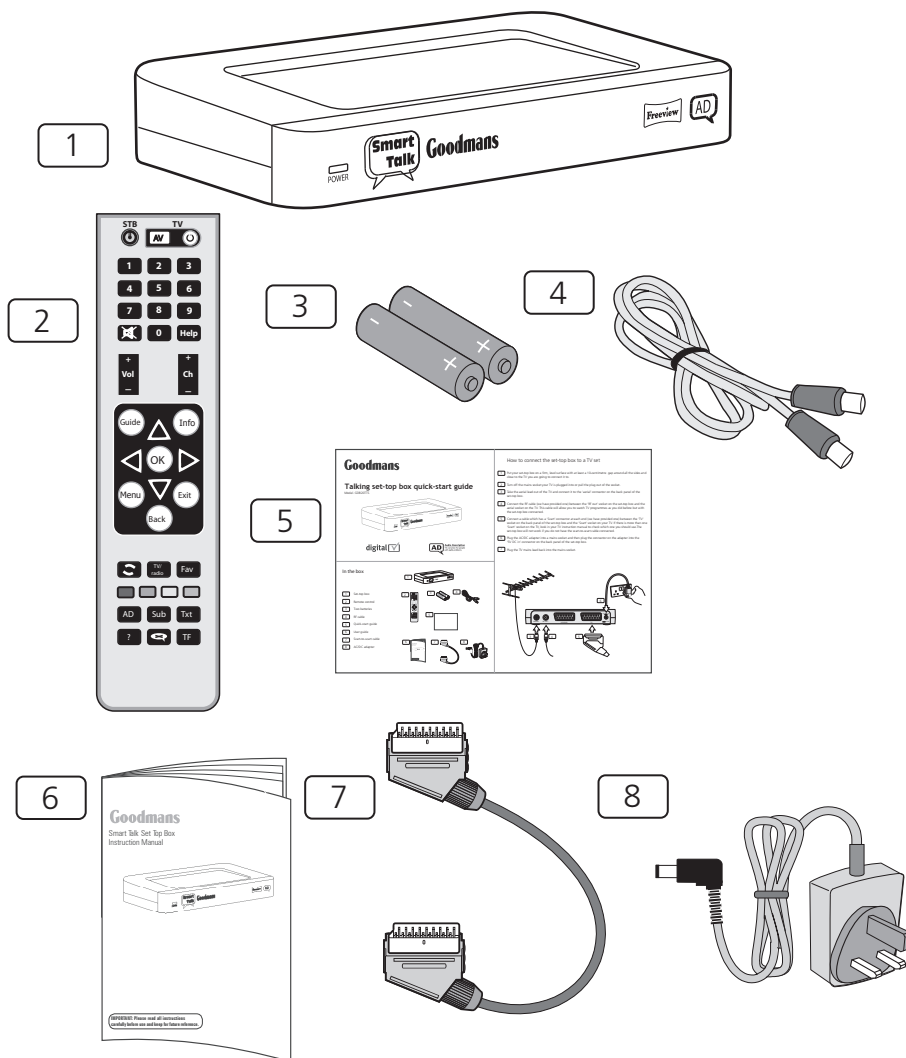
**AD** Audio Description  
TV narration for people with sight problems

### 1 How to connect the set-top box to a TV

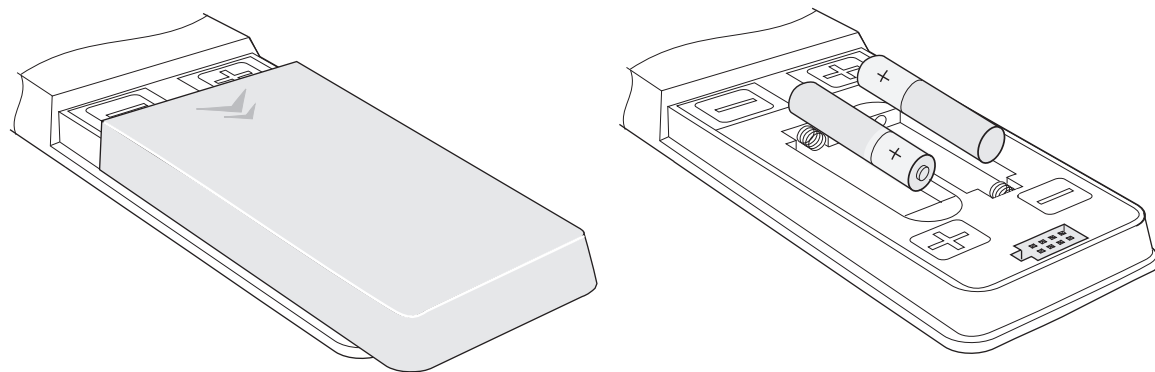
- 1 Put your set-top box on a firm, level surface with at least a 10-centimetre gap around all the sides and close to the TV you are going to connect it to.
- 2 Turn off the mains socket your TV is plugged into or pull the plug out of the socket.
- 3 Take the aerial lead out of the TV and connect it to the 'aerial' connector on the back panel of the set-top box.
- 4 Connect the RF cable (we have provided one) between the 'RF out' socket on the set-top box and the aerial socket on the TV. This cable will allow you to watch TV programmes as you did before but with the set-top box connected.
- 5 Connect a cable which has a 'Scart' connector at each end (we have provided one) between the 'TV' socket on the back panel of the set-top box and the 'Scart' socket on your TV. If there is more than one 'Scart' socket on the TV, look in your TV instruction manual to check which one you should use. The set-top box will not work if you do not have the scart-to-scart cable connected.
- 6 Plug the AC/DC adapter into a mains socket and then plug the connector on the adapter into the '5V DC in' connector on the back panel of the set-top box.
- 7 Plug the TV mains lead back into the mains socket.

### In the box

- 1 Set-top box
- 2 Remote control
- 3 Two batteries
- 4 RF cable
- 5 Quick-start guide
- 6 User guide
- 7 Scart-to-scart cable
- 8 AC/DC adapter



## 2 Putting batteries in the remote control



- 1 Open the remote-control battery cover on the back of the remote control.
- 2 Put the batteries (included with your receiver's remote control) as shown on the diagram above.
- 3 Put the battery cover back on.

## 4 First-time installation

The first time you switch on your set-top box, you will see a screen like the one shown below.



(You may need to press 'AV' on your TV remote control before you see the welcome screen.)

The welcome screen and the setup instructions will be spoken automatically by your set-top box. If you don't want this to happen you can press the (TF) button on the remote control.

- 1 Press **OK** and wait for the set-top box to start tuning automatically. This may take a few minutes to complete.
- 2 When the scan has finished, the set-top box will show a message telling you how many channels it has found.
- 3 Press **OK** to complete the installation. The channel at the top of the list will be shown. This is usually BBC1.

## 3 Using your remote control

- STB** (Power icon) Switches your set-top box on and off (onto standby).
- AV** Switches between the two Scart inputs on your set-top box.
- TV** (Power icon) Switches your TV on or off.
- 0 to 9** Chooses channel numbers and numbers on menus that relate to different options.
- Mute** (Mute icon) Mutes the set-top box volume.
- Help** Enters the help system.
- + Vol -** Increases or reduces the set-top box volume.
- + Ch -** Goes up and down the channels.
- Guide** (Guide icon) Enters and exits the electronic programme guide (EPG).
- Info** (Info icon) Gives programme information on the TV screen.
- Navigation** (Directional pad) Moves around the on-screen menus.
- OK** (OK icon) Selects options on the on-screen menu.
- Menu** (Menu icon) Enters and exits the menu screen.
- Exit** (Exit icon) Exits the menu screen and goes back to the last programme you were watching.
- Back** (Back icon) Goes back to the previous screen you were on.
- Channel** (Channel icon) Goes back to the last channel you were watching.
- TV/radio** (TV/radio icon) Goes between the TV and radio channel list.
- Fav** (Fav icon) Goes to your favourite channel list.
- Red, green, yellow or blue buttons** Changes or goes to different options when on the digital text pages.
- AD** (AD icon) Switches audio description on and off.
- Sub** (Sub icon) Switches subtitles on and off.
- Txt** (Txt icon) Enters digital text mode.
- ?** (Help icon) Provides functional and navigational information in talking features.
- Speech bubble** (Speech bubble icon) Temporarily silence talking features.
- TF** (TF icon) Switches talking features on and off.